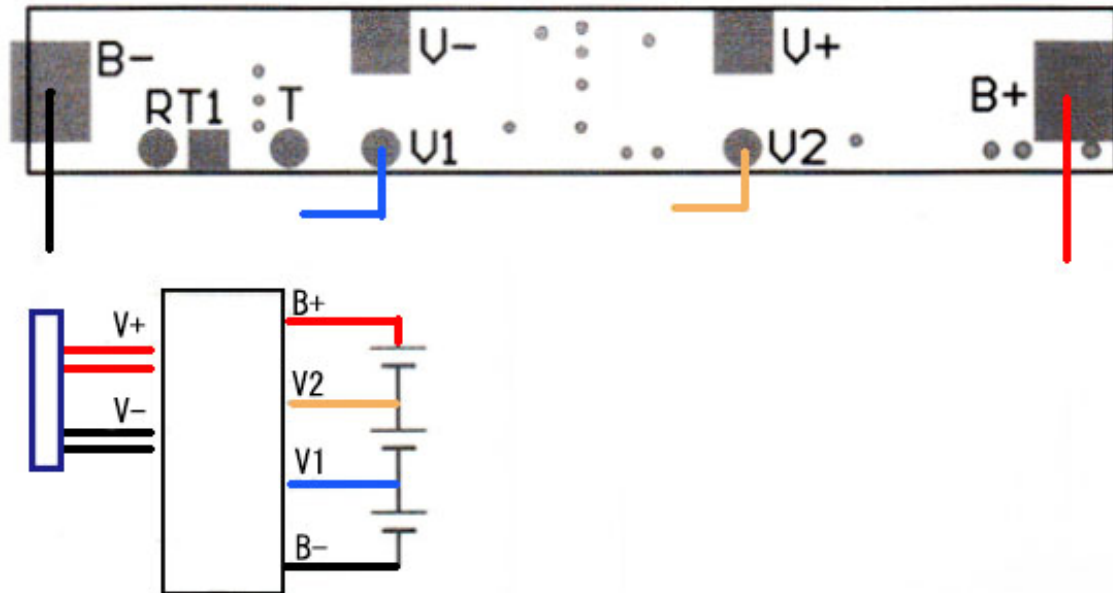


FLB-86K 保護基板とバッテリーの配線



Protection Circuit		Electrical Characteristic (25°C)
Charge Protection	Over-Charge Threshold Voltage	4.35V ± 50mV
	Over-Charge Delay Time	0.7 ± 0.35 S
	Over-Charge Release Voltage	4.05V ± 100mV
Discharge Protection	Over-Discharge Threshold Voltage	2.40V ± 80mV
	Over-Discharge Delay Time	40 ± 20mS
	Over-Discharge Release Voltage	2.70 ± 100mV
	Over-Discharge Current	4 ± 0.4A
	Over-Discharge Current Delay Time	20 ± 10mS
	Over-Discharge Current Release Time	Open Loop
Short-Circuit Protection	Short-Circuit Current	15.38 ± 1.6A
	Short-Circuit Delay Time	300+250/-200 μ S
	Short-Circuit Release	Open Loop
	Thermal Fulse	139°C 5A